

**DO
MORE
TODAY**
WITH
BOTTENE



Cross Cut Saws

Scanners

Automation

Finger Jointers

Planers & moulders

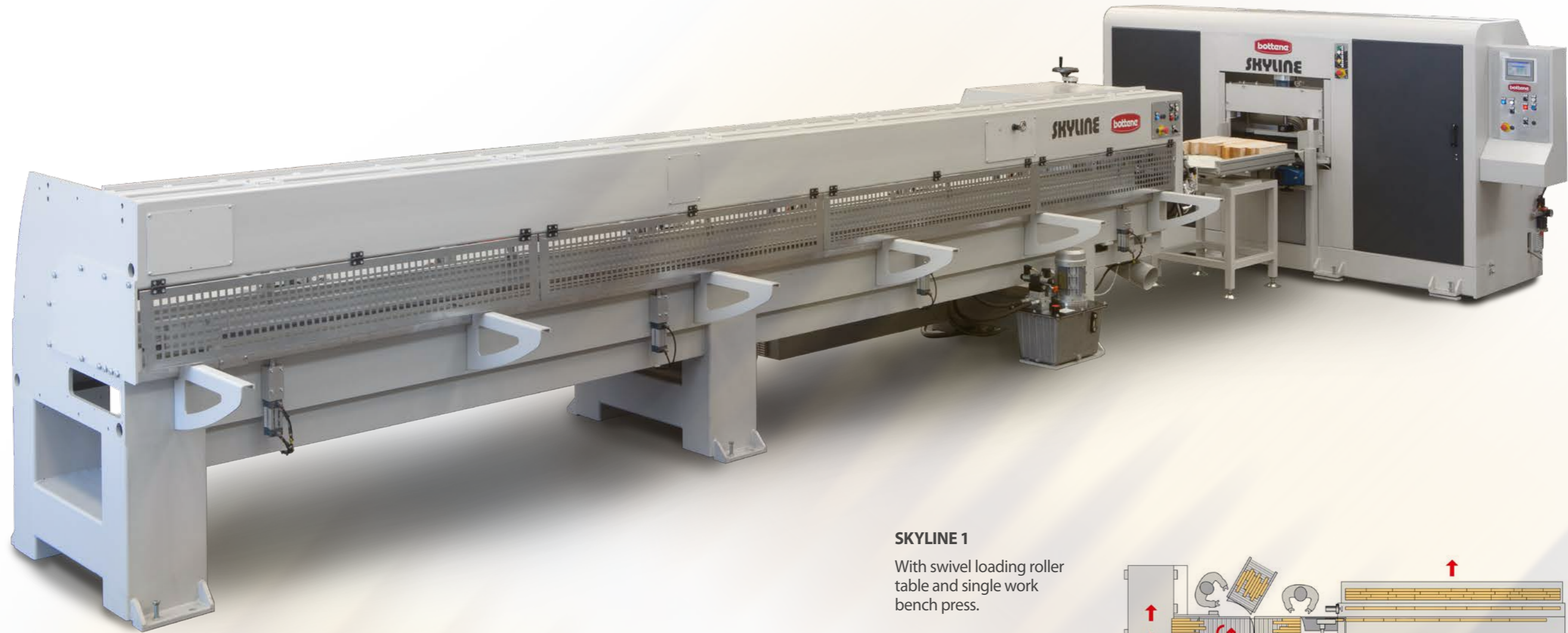
SKYLINE



Bottene srl
Via Emilia Romagna 24
36015 Schio • Vicenza • Italy
tel. +39 0445 500159
Fax +39 0445 579700
bottene@bottene.it

www.bottene.it

DO MORE TODAY WITH BOTTENE



SKYLINE

Finger-jointing technology makes it possible to create stable elements of any size even using boards of minimum length. First of all the knots and other undesired defects are removed from the wood by our high-speed cross-cutting systems that use scanner technology for detecting all the characteristics of the wood.

Pack Jointing line with milling unit, ideal for small and medium batches. Skyline uses the frames and modularity of superior models to guarantee high quality standards.

Finger-joint technology is normally used for making:

- Wooden houses using the block house, frame or Xlam-CLT panel system.
- Glulam beams
- Panels for the building industry
- Furnishing for interiors and exteriors

Bottene Engineering designs and builds complete plants for high-quality glulam wood and for any need or sector.

SKYLINE 1

With swivel loading roller table and single work bench press.

SKYLINE 2

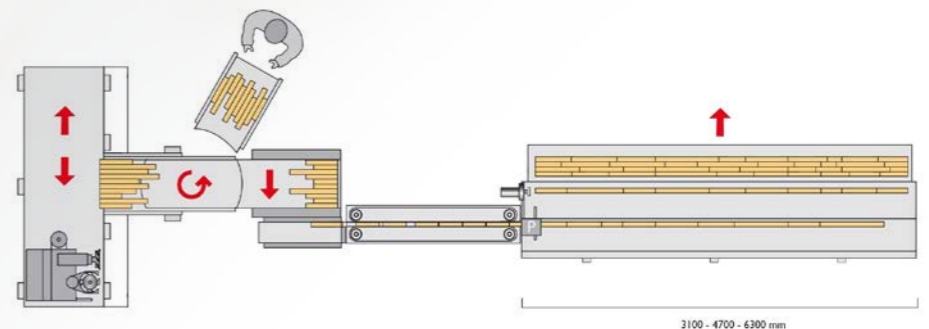
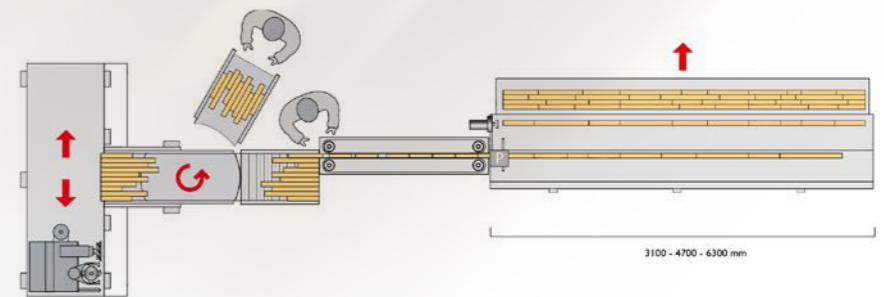
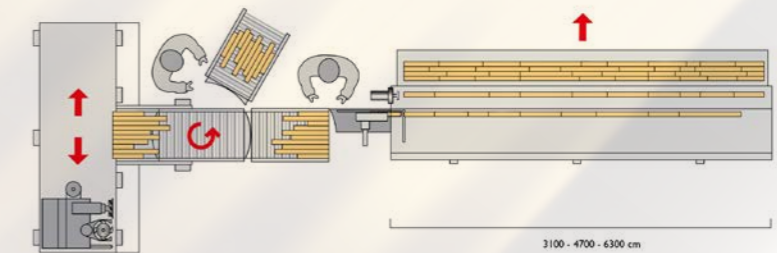
With swivel loading roller table and double work bench press.

SKYLINE 3

Automatic loading with rotating belt and pre-joint chains.

SKYLINE 4

Completely automatic version for loading one by one.



3100 - 4700 - 6300 mm